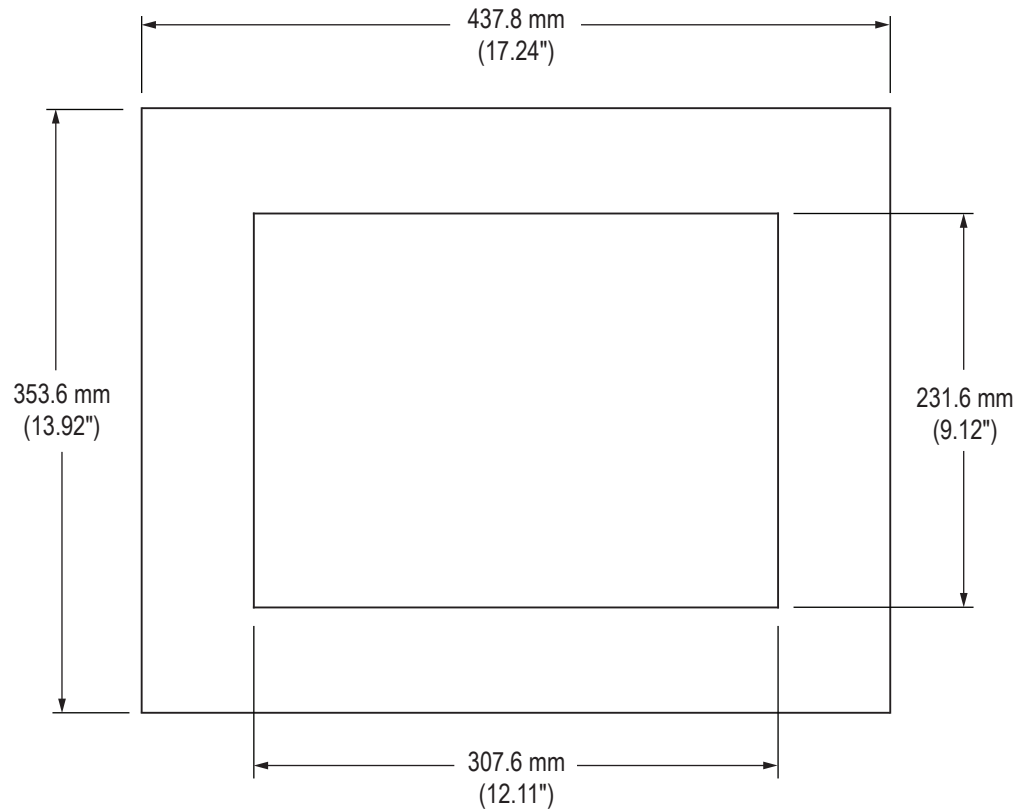
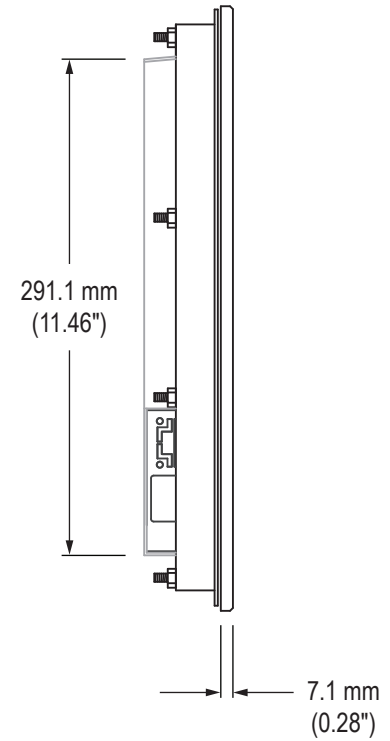


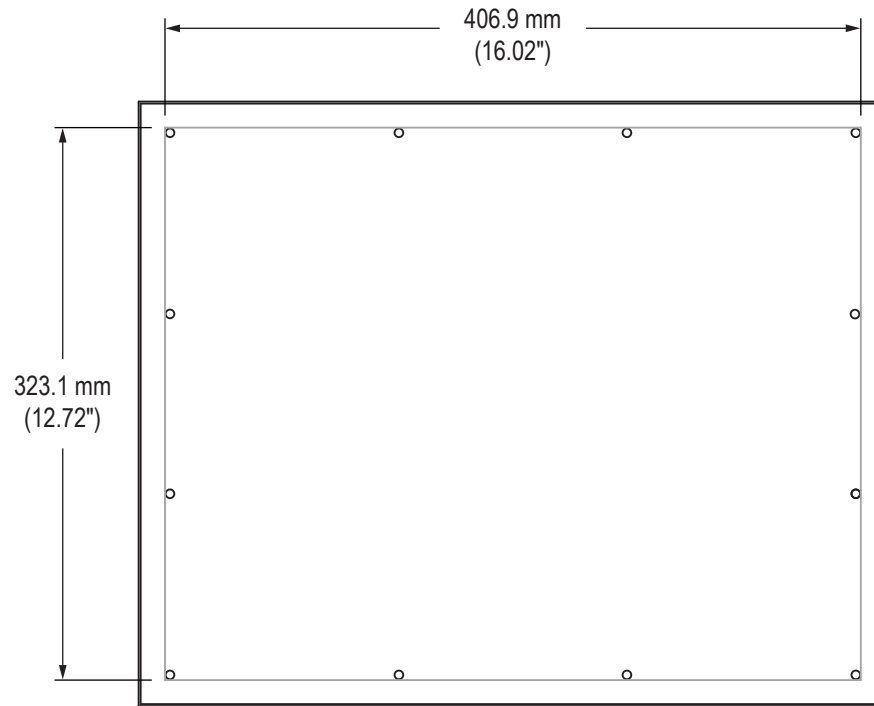
Front View



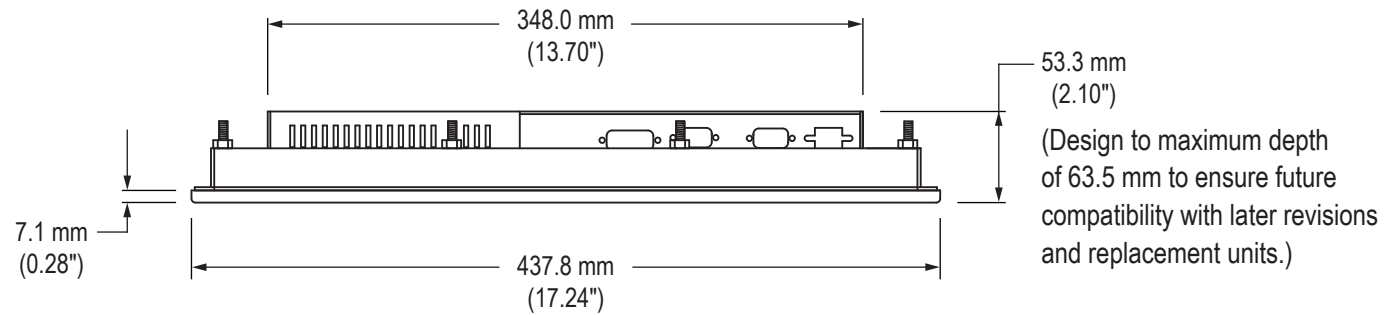
Side View



### Rear View (showing Cutout Dimensions)



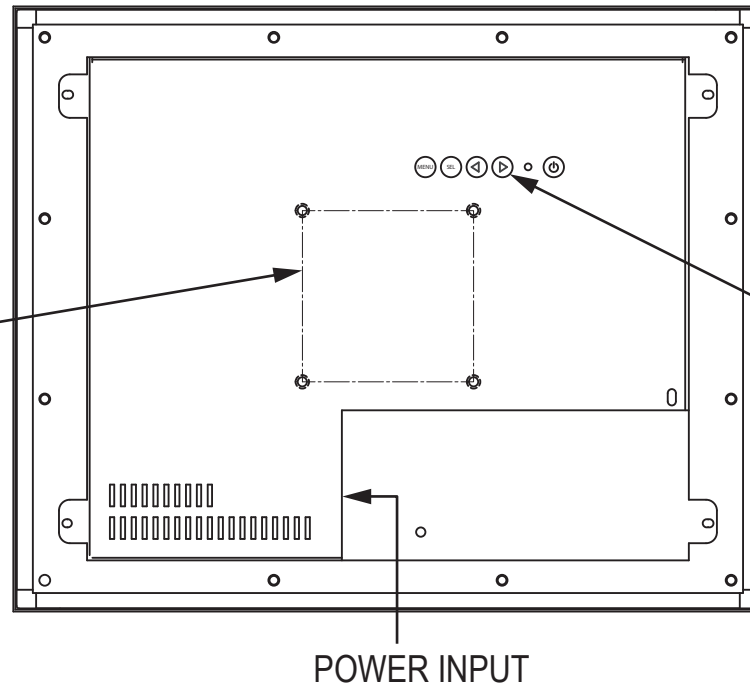
### Bottom View



# Cable Connections

## Rear View

100 mm VESA  
Mounting Pattern  
(M4 screws provided,  
16 mm maximum  
depth of screw)



CONTROL PANEL  
BUTTONS

## Bottom View

