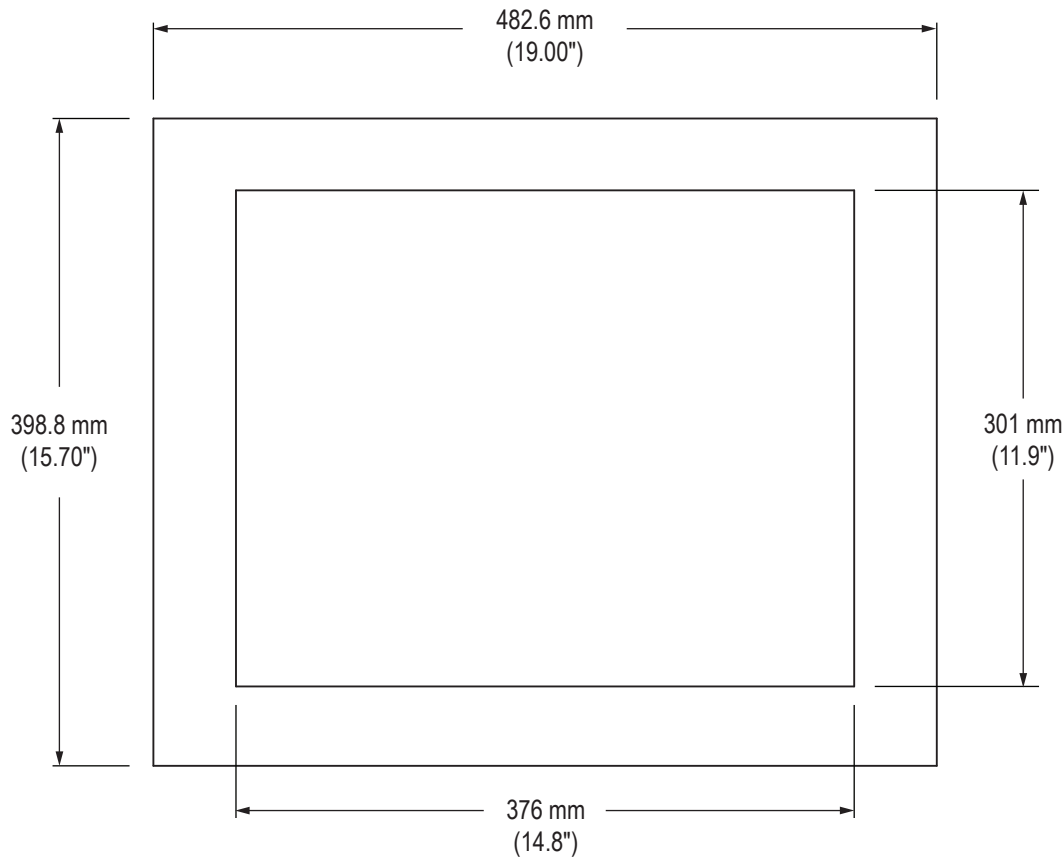
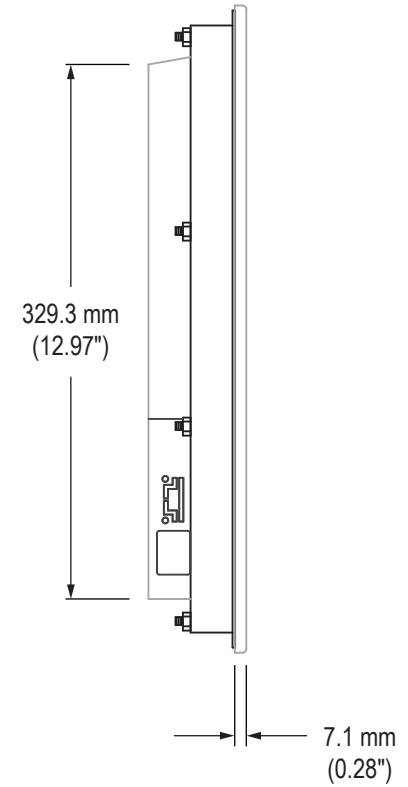


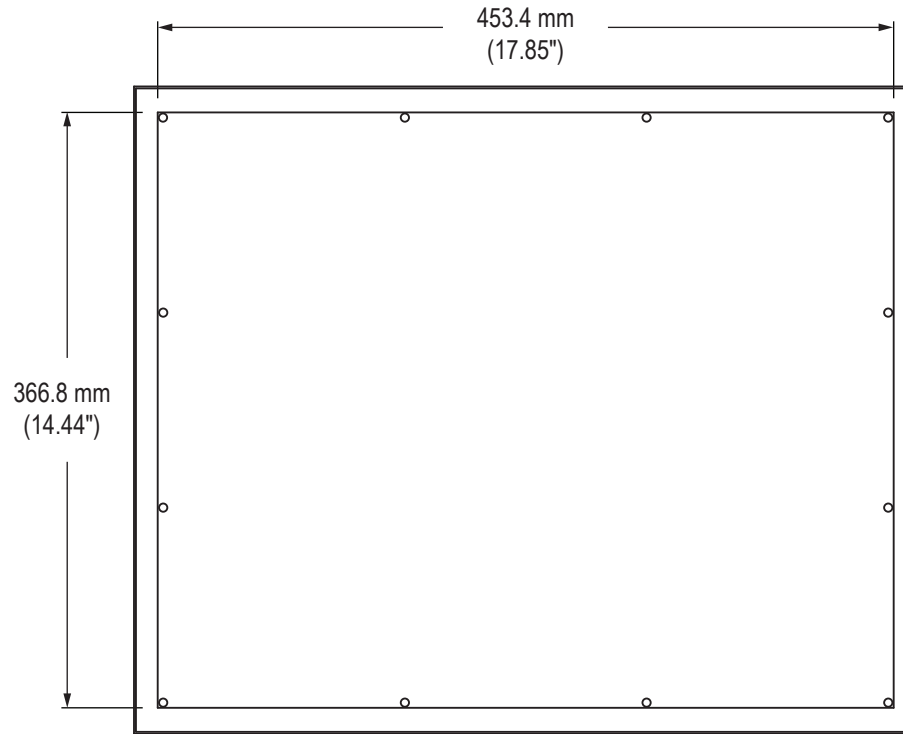
### Front View



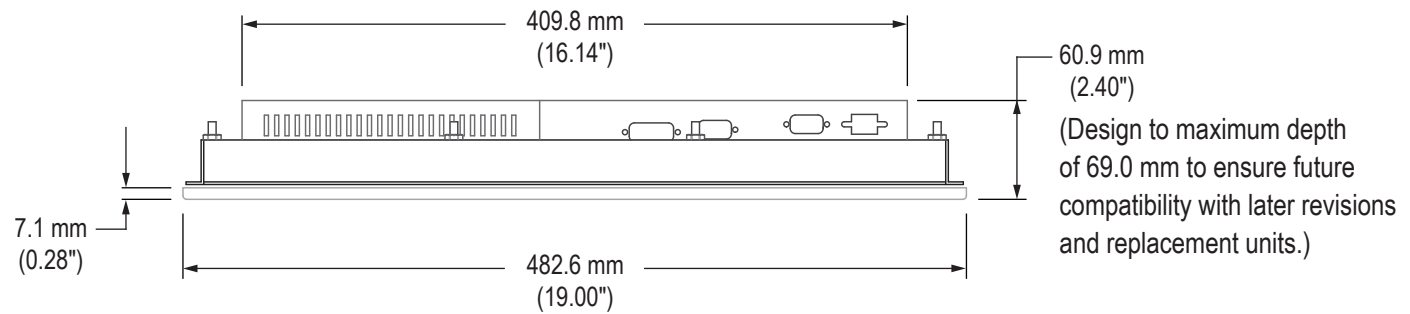
### Side View



### Rear View (showing Cutout Dimensions)

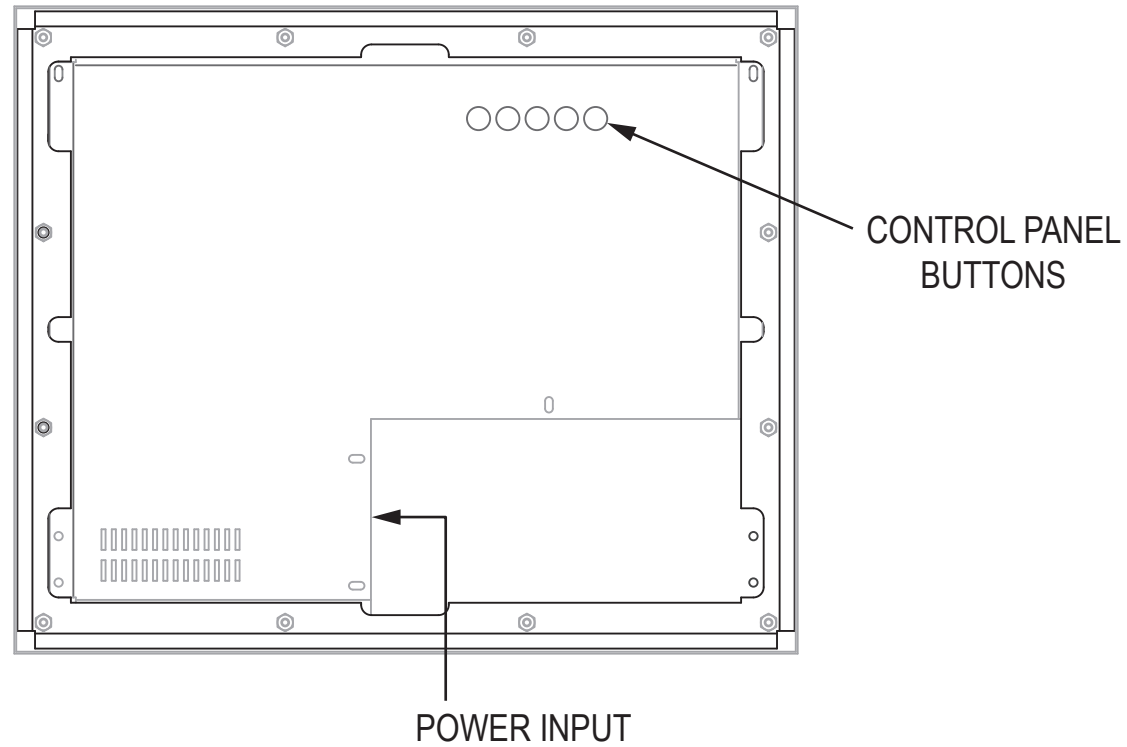


### Bottom View



# Cable Connections

## Rear View



## Bottom View

