



Installation Instructions

YB-N12-Kit (for YB __ -BLK-N12 Series)

NEMA 12 Yoke Benchttop Cable Gland Kit

1. Remove plastic nut from top of pipe fitting.
2. Discard rubber disk and washer inside plastic nut.
3. Refer to Figure 1. Install wiper seal into plastic nut and reinstall nut snugly onto pipe fitting.

4. Refer to Figure 2. Assess which cables will be routed through the rubber seal.

Video cable – Position 1

Power cable – Position 3

Touch Screen cable – Position 2 or 4

5. Route cables through pipe as shown.
6. Insert each cable into the rubber seal, removing plugs as required.
7. Slide the rubber seal into the top of the plastic nut until the top of the seal is flush with or slightly below the top of the nut.
8. Repeat steps 6-7 to adjust the cable length and position.
9. To achieve a NEMA 12 seal, fill in the cavity in the top of the nut with a flowable RTV sealant as shown in Figure 3.

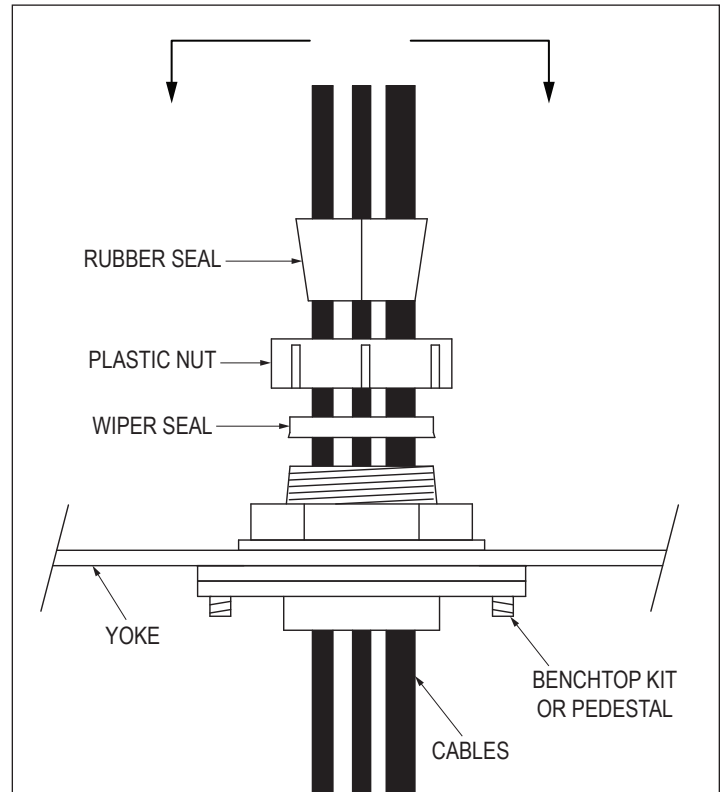


FIGURE 1

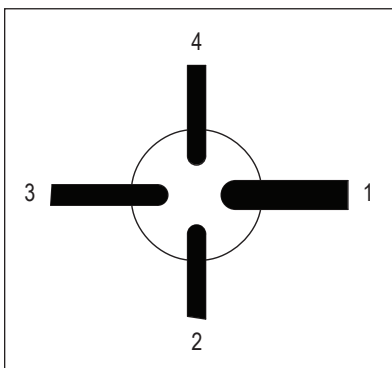


FIGURE 2 – TOP VIEW OF RUBBER SEAL



FIGURE 3