



# Installation Instructions

## ENCL-PC \_\_ - \_\_ Series

### Commercial / Industrial PC Enclosures

#### IMPORTANT!

**OPERATOR COULD BE EXPOSED TO DANGEROUSLY HIGH VOLTAGE IF AC POWER IS NOT CONNECTED PROPERLY. VERIFY ALL WIRING IS PROPERLY CONNECTED.**

1. Refer to Figure 1. A wiring entry hole is provided at the top center of the enclosure for use when pedestal or wall mounting the enclosure. If cables will not be going through the rear hole already provided, punch conduit holes as required.

**NOTE: If punching conduit holes in the enclosure, place the hole(s) so that wires can be routed through the trays provided. See Figure 1 for alternative conduit entry points on the enclosure top, bottom, and rear walls. If necessary, remove cable routing covers and trays before drilling to avoid damage and to allow room for conduit installation. In wet environments, ensure that conduit entry points are adequately sealed.**

**NOTE: Keyless latches should be operated with a 6 mm (0.25") wide screwdriver bit to prevent scarring or scratching of the lock mechanism.**

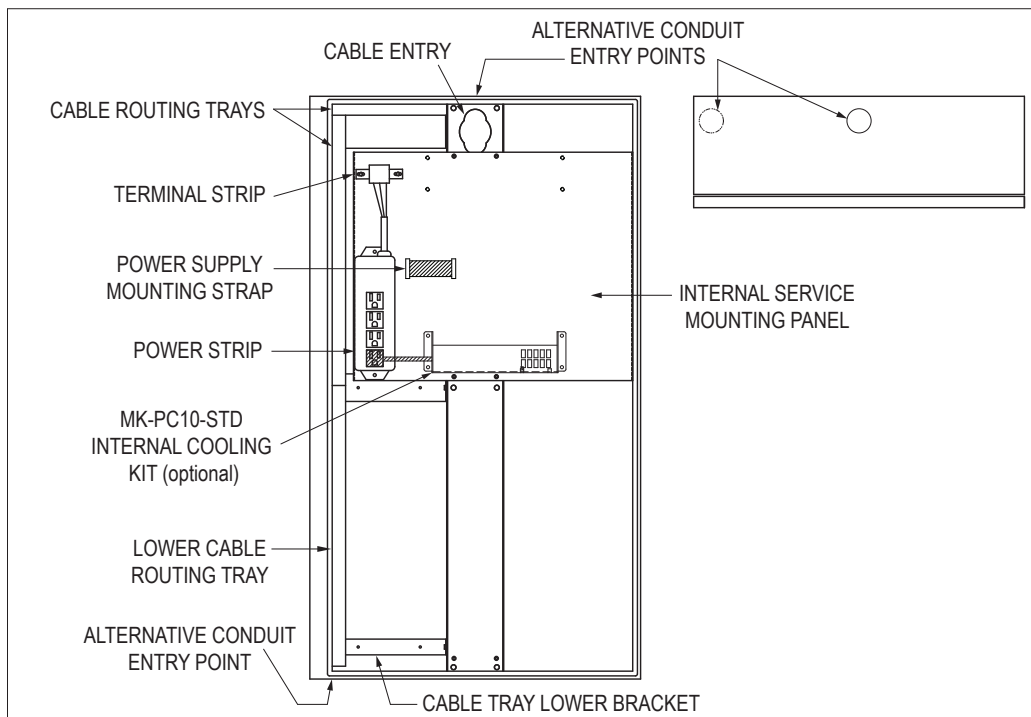


FIGURE 1 – INSIDE AND TOP VIEWS OF ENCLOSURE

2. Refer to Figures 2 and 3. Mount the enclosure.
  - a. When mounting to a pedestal: Refer to Figure 2. Insert the provided six 1/4-20 fasteners through the holes in the back of the enclosure and into the corresponding pre-tapped holes in the pedestal. Then route power and signal cables through the cable entry into the enclosure.

**NOTE: When mounting to a black pedestal, remove and discard the plastic screws from the bottom four holes on the pedestal prior to mounting the enclosure.**



## PC Enclosure Installation Instructions (continued)

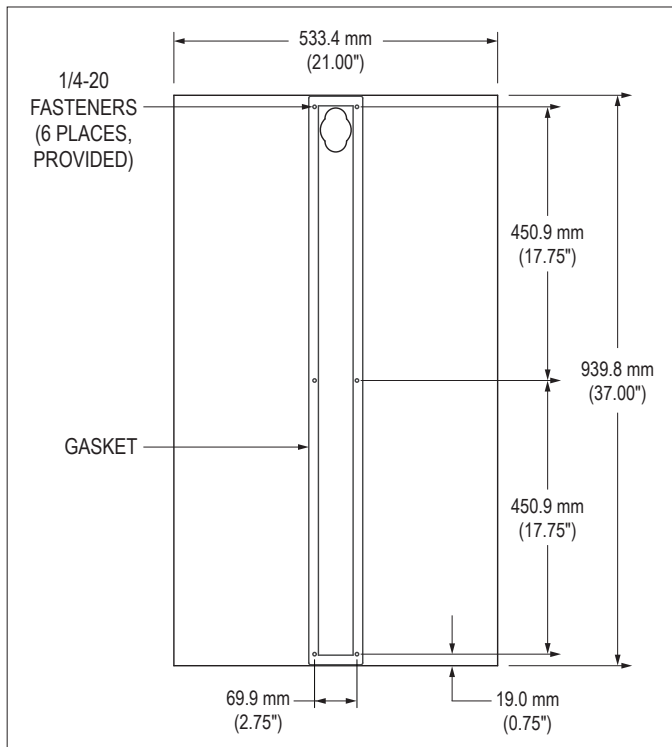


FIGURE 2 – REAR VIEW SHOWING MOUNTING PATTERN

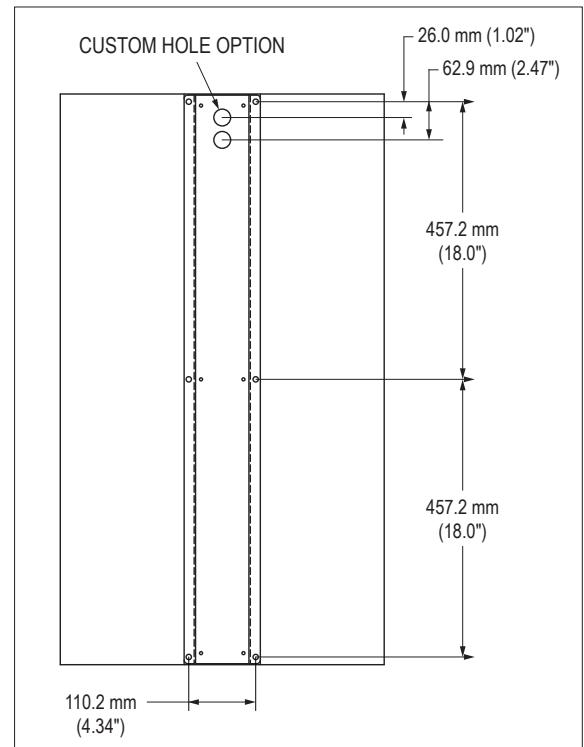


FIGURE 3 – REAR VIEW WITH OPTIONAL WB-ENCL-XXX WALL MOUNTING BRACKET

- b. When mounting directly to a wall (WITHOUT the optional wall mount bracket): Select a wall with a smooth surface, and use the hole pattern shown in Figure 2. After the enclosure is in place, install conduit if necessary, then route cables through the cable entry into the enclosure.

**NOTE: Mounting the enclosure to a rough surface can prevent the pre-installed rear gasket from forming a proper seal around the six mounting holes and the pre-punched wiring hole. If the enclosure must be mounted to a rough surface in a potentially wet area, a seal appropriate for the situation must be devised for the mounting and wiring holes.**

- c. When mounting to a wall (WITH optional WB-ENCL-xxx bracket): First mount the bracket to the wall using the hole pattern shown in Figure 3. Then mount the enclosure to the bracket using the provided six 1/4-20 fasteners. Finally, route power and signal cables through the cable entry into the enclosure.
3. Refer to Figure 4. If power strip (part number MK-4OUTLET-xx) was purchased separately, install it at this time.
    - a. Mount the power strip using the two screws installed on the service panel.
    - b. Wire the power strip to the terminal strip, ensuring wires are aligned properly.
  4. Install the PC.
    - a. When using the standard PC mounting bracket: Refer to Figure 5. Remove the bracket and drill holes as required to accommodate the PC.

**NOTE: If the PC has internal fans, orient it so that the fans take in air from the bottom of the enclosure and exhaust air toward the top. If the PC has a finned heat sink, orient it so air can flow parallel from bottom to top.**

**NOTE: The mounting bracket adjusts left and right as needed to provide clearance for the door to close. Pay special attention to clearances for cable connections and internal components.**

# PC Enclosure Installation Instructions (continued)

**NOTE FOR DELL BOX PC 5000:** The mounting bracket includes pre-drilled mount points for the Dell Embedded Box PC 5000 series when used with Dell mounting bracket 575-BBKC.

- b. When using the optional Dell Optiplex XE2 mounting kit (part number MK-PC10-DELLXE2): Refer to Figures 1 and 4.
  - 1) Remove lower half of cable routing tray and cable tray lower bracket.
  - 2) Install the cooling kit and bracket assembly onto the center stiffener bracket using the provided four screws.
  - 3) Unscrew the two thumb screws to remove the access panel.
  - 4) Loosen the cinch strap.
  - 5) Route all PC cables through the upper cable routing tray and through the compression gasket next to the cooling kit.
  - 6) Position the PC close enough to the bracket to plug cables in.
  - 7) Push the PC to the left against the lip seal and back into position.
  - 8) Wrap cinch strap around the PC and tighten.
  - 9) Bring AC power to the cooling kit by plugging the included AC power cable into an outlet on the power strip.
  - 10) Reinstall the access panel that was removed in step 3. Compression gasket will have to be closed to tighten the left hand access panel thumb screw.

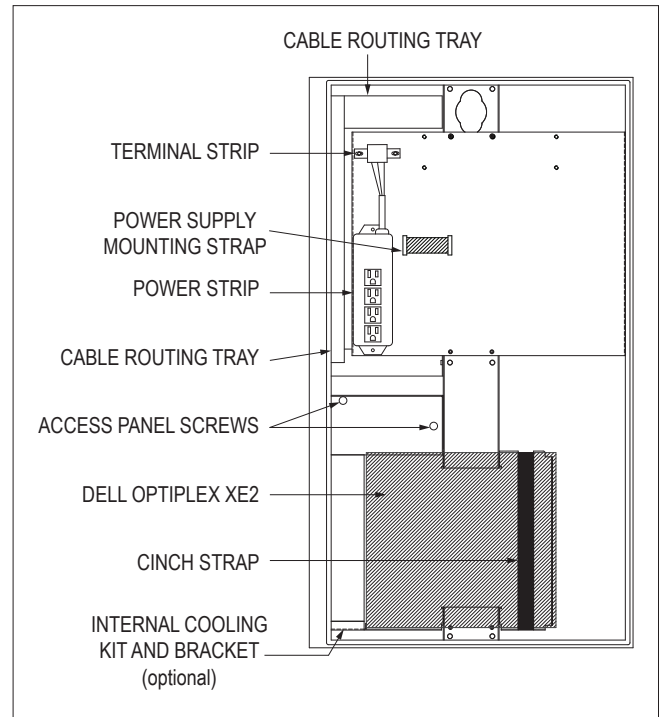


FIGURE 4 – ENCLOSURE WITH OPTIPLEX XE2 KIT

5. Refer to Figure 1. Install any additional equipment on the internal service panel. The panel can be removed for drilling as required.

**NOTE:** If you ordered the optional MK-PC10-STD internal cooling kit, install it on the service panel now, as shown in Figure 1. This cooling kit may be low-mounted, as shown in Figure 1, or high-mounted on the top mounting pattern on the service panel. Hook up power to the internal cooling kit by plugging the kit's AC cable into an outlet on the power strip. For non-North American power strips, connect power using the alternative cable that shipped with your internal cooling kit. Connect the cable to the kit, then connect the pigtail end to the AC input terminal blocks.

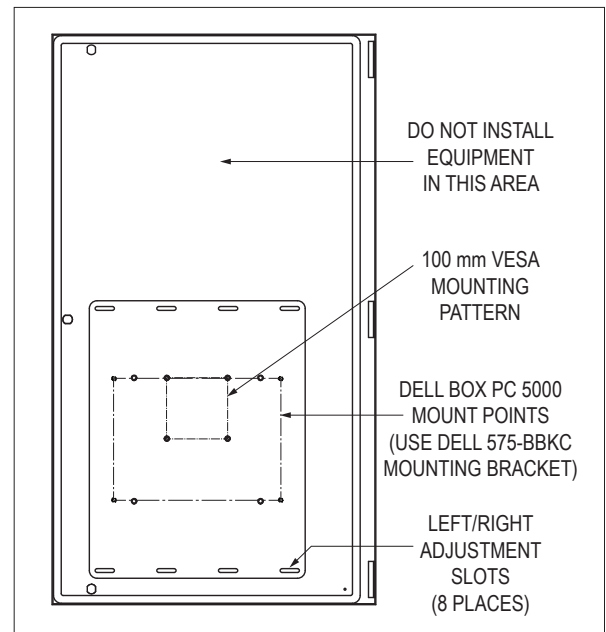


FIGURE 5 – INSIDE VIEW OF ENCLOSURE DOOR

6. Refer to Figure 1. Remove cable routing tray covers and route the power cable to the power strip terminal block on the internal service panel. Route all signal cables (video, keyboard/mouse, serial, network, etc.) and AC power cables as required. For good internal air flow, all cables should be routed neatly through the trays.



## PC Enclosure Installation Instructions (continued)

7. Ensure the enclosure access door swings freely and closes without binding the routed cables or internal components. Adjust installed equipment as necessary, then reinstall cable routing tray covers.
8. If display, I/O, or other external devices to be used have not already been installed, install them now using instructions provided with those devices.
9. Power up the PC and test the system before closing and latching the enclosure door.

**WARNING: Failure to close the enclosure door may result in water damage to internal components in a wet environment and void the warranty.**