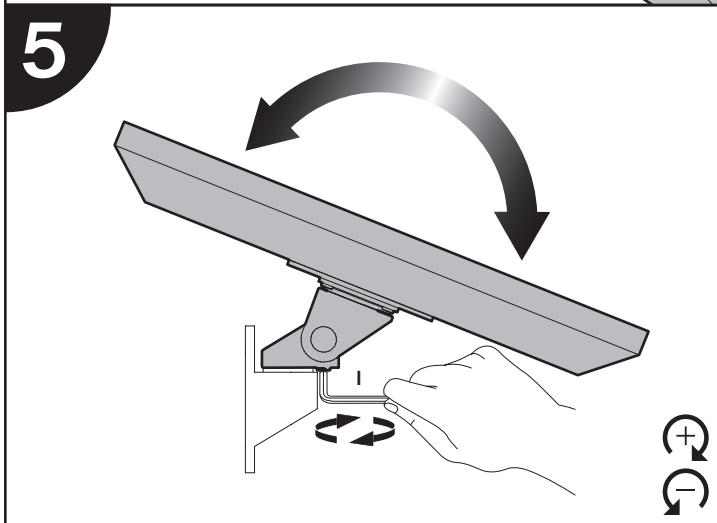
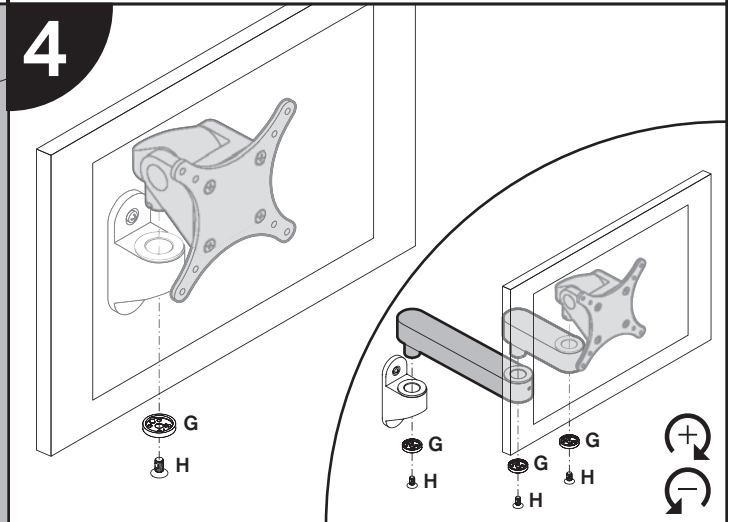
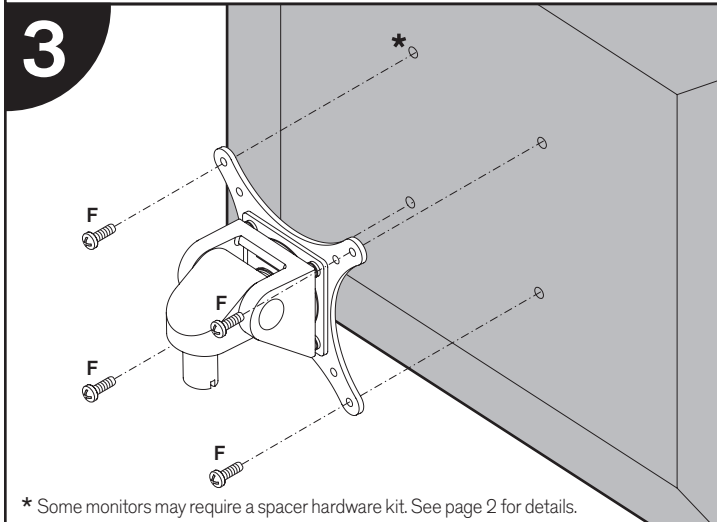
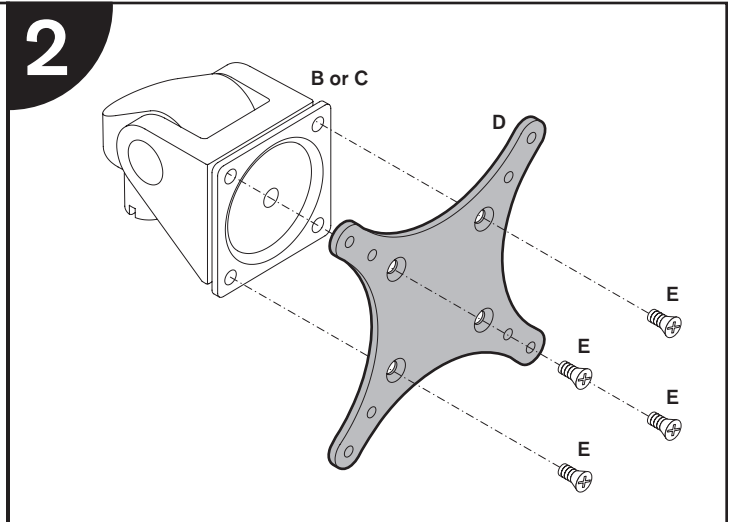
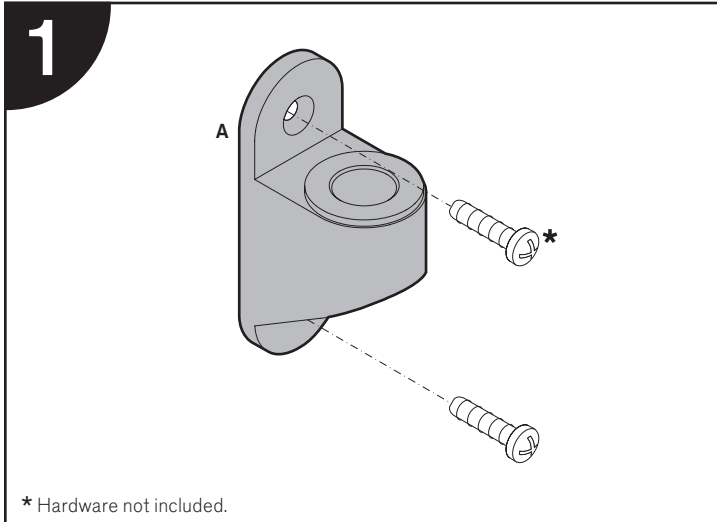
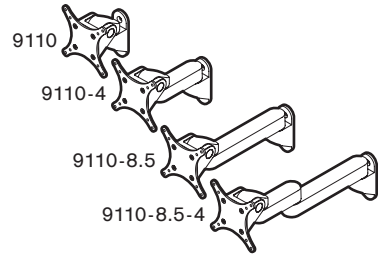
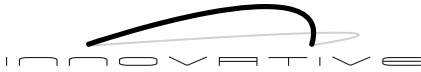


MODEL 9110

Installation Instructions


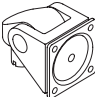
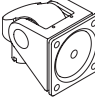


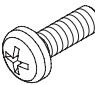


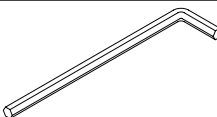


800.524.2744
www.LCDarms.com

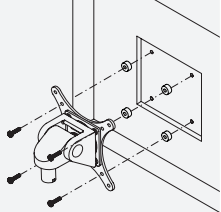
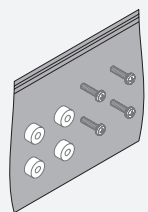
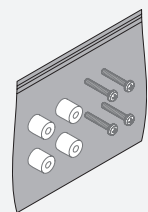


MODEL 9110

Parts List

ITEM	DESCRIPTION / PART NO.	QUANTITY		
		9110	9110-4 & 9110-8.5	9110-8.5-4
A	 Wall Mount RP406795	1	1	1
B	 Monitor Tilter 405397	1	1	1
C	 Spring-Assisted Monitor Tilter (9110-HD only) 407747	1	1	1
D	 75mm/100mm VESA® Adapter Plate 105587	1	1	1
E	 10-32 x 3/8" Phillips Flat Head Screw 702281	1 (4-pack)	1 (4-pack)	1 (4-pack)
F	 M4-12 Phillips Pan Head Screw 702096	1 (4-pack)	1 (4-pack)	1 (4-pack)
G	 Dog Washer 105189	1	2	3
H	 10-32 x 3/8" FPhMS w/Lock Patch 705198	1	2	3
I	 7/32" Allen Wrench 701127	1	1	1

OPTIONAL SPACER KITS In some cases, the mounting surface on your monitor may be recessed further than permitted by VESA® standards. As a result, a spacer kit may be required.

	 <p>.25" Spacer Hardware Kit (4) .25" Spacers (4) M4 x 18mm Phillips Pan Head Screws Order # P404923-B</p>	 <p>.5" Spacer Hardware Kit (4) .5" Spacers (4) M4 x 25mm Phillips Pan Head Screws Order # P404923-C</p>
--	---	--