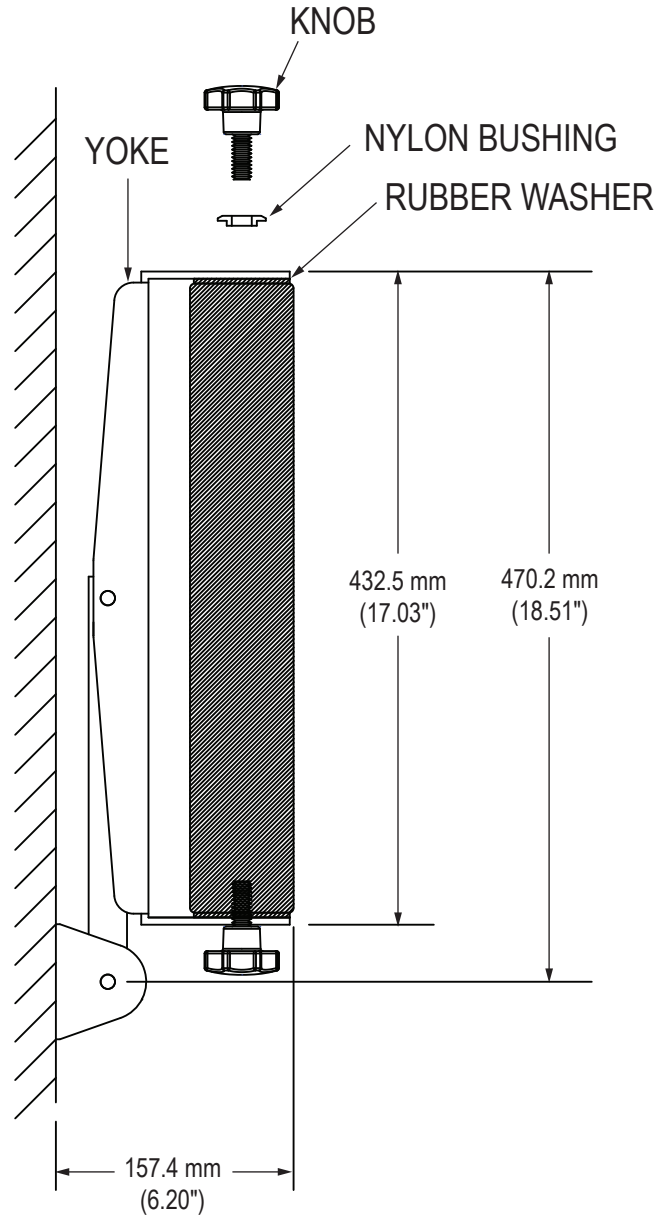
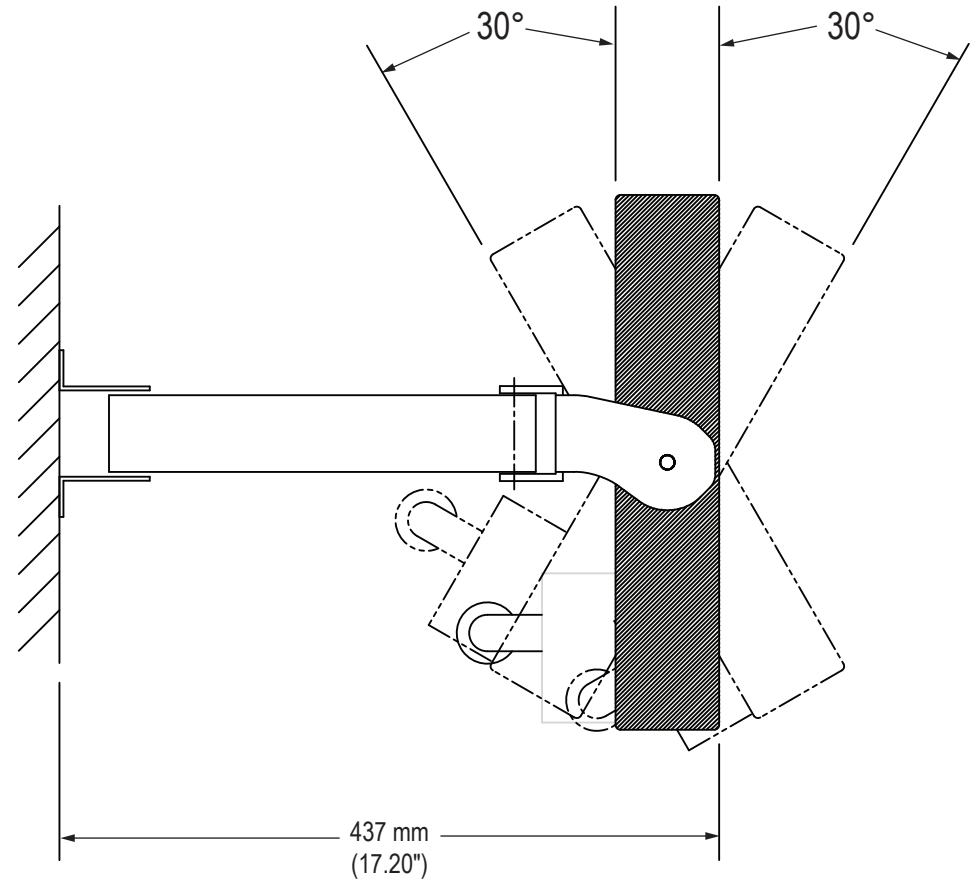


# 15/17" MODEL

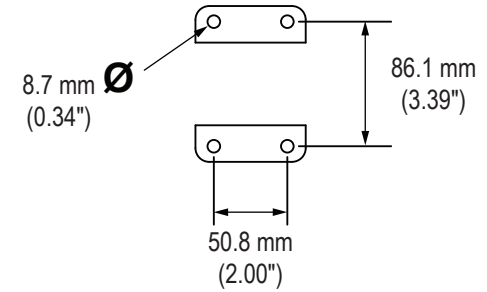
Top View (Collapsed)



Side View (Extended)



Mounting Bracket

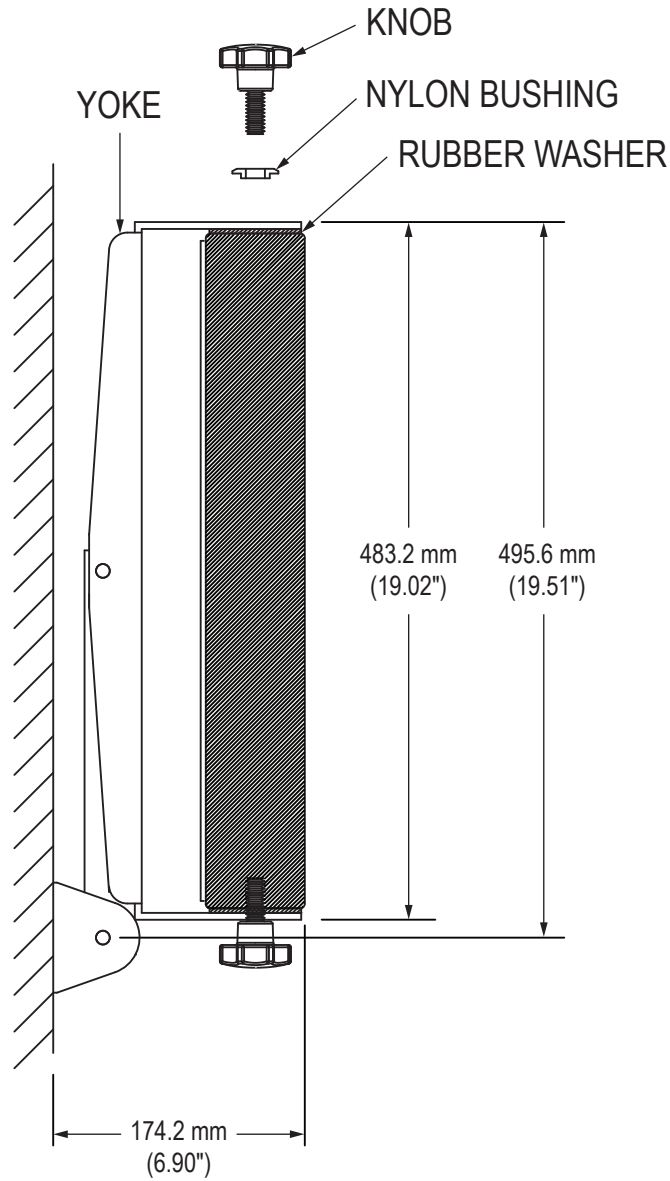


Mechanical Drawing – Single Extension Heavy Industrial Wall Mount Arm

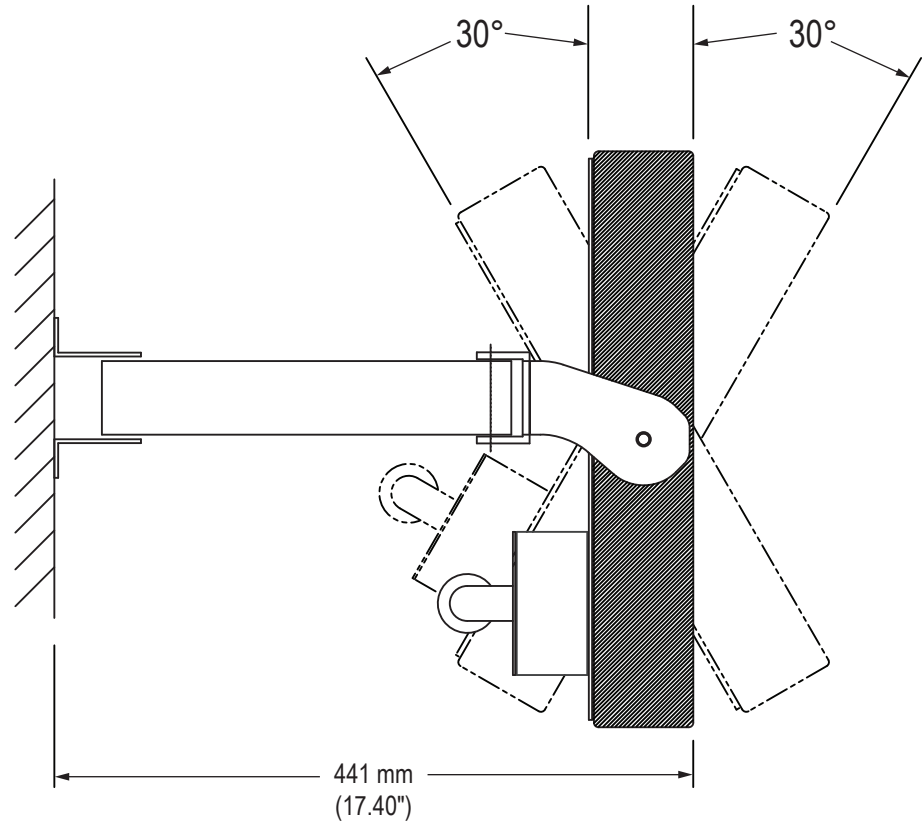


# 19" MODEL

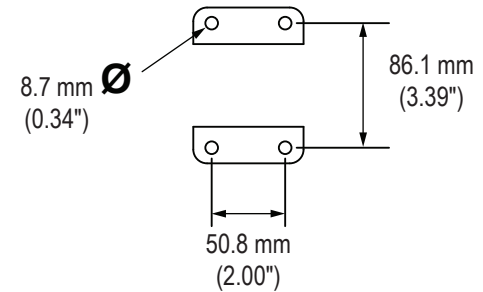
Top View (Collapsed)



Side View (Extended)

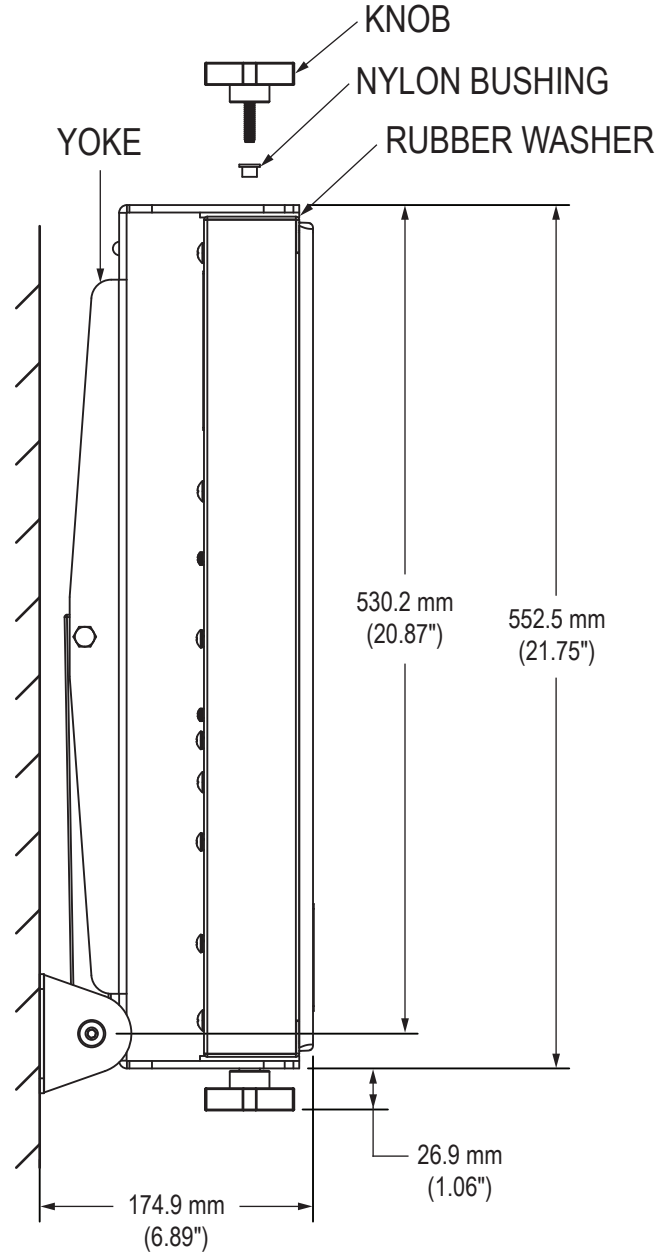


Mounting Bracket

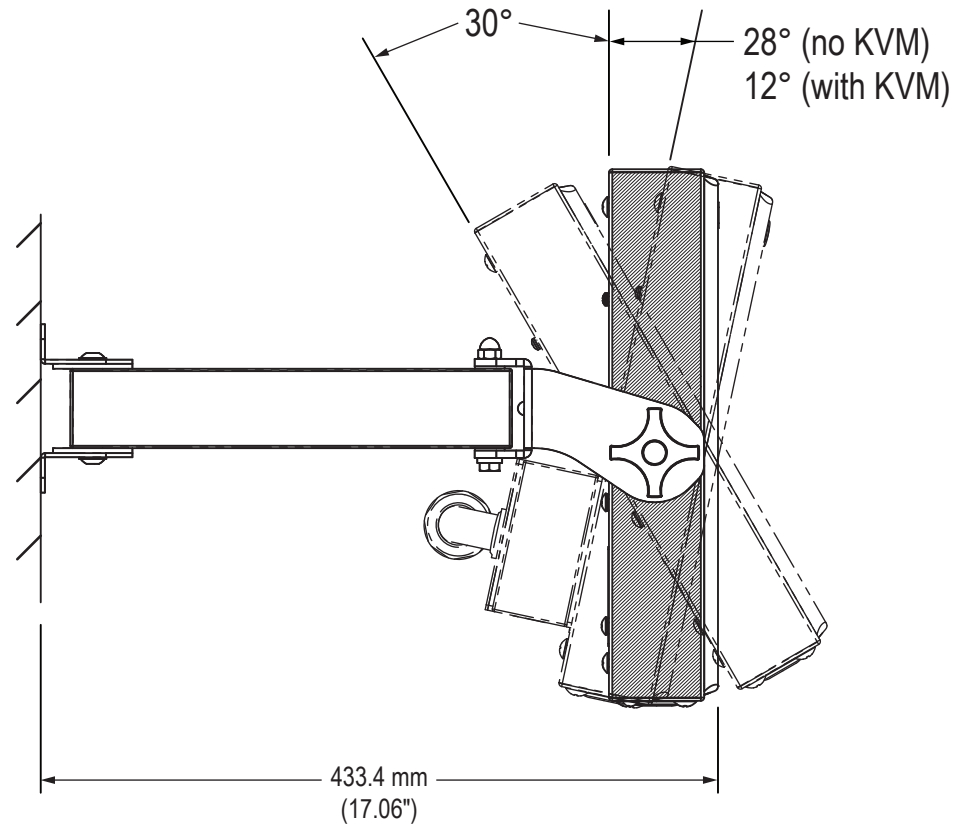


# 19.5" MODEL

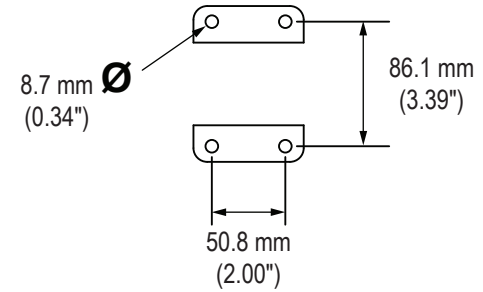
Top View (Collapsed)



Side View (Extended)

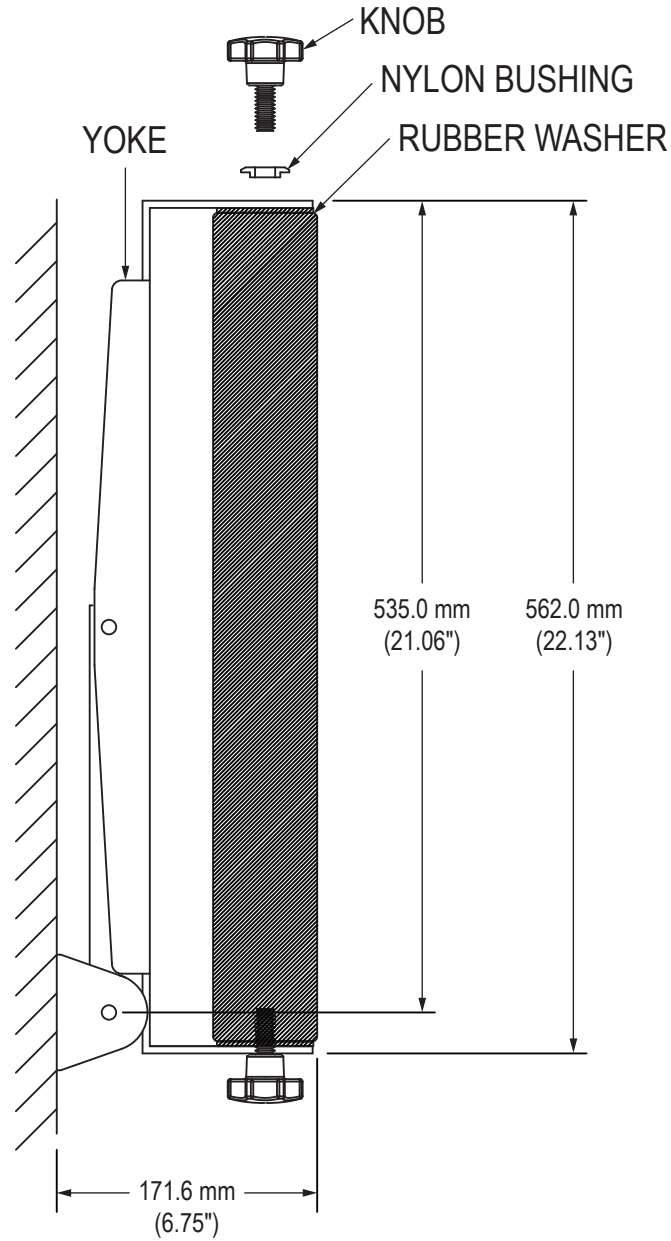


Mounting Bracket

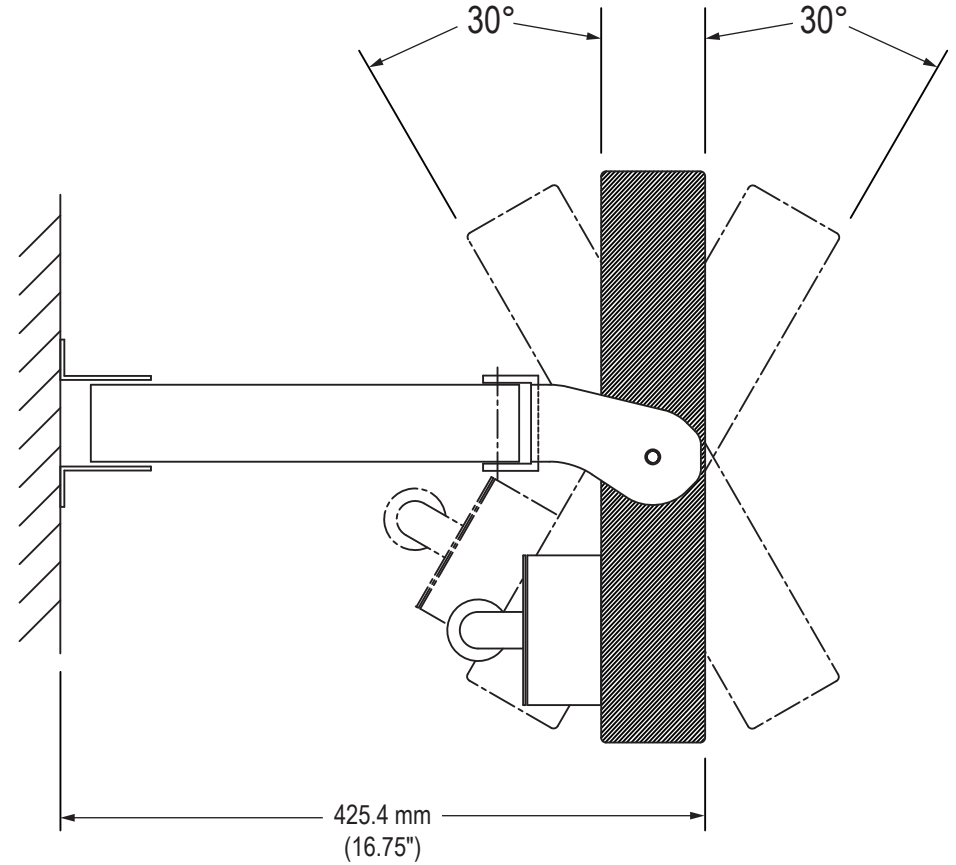


# 22" MODEL

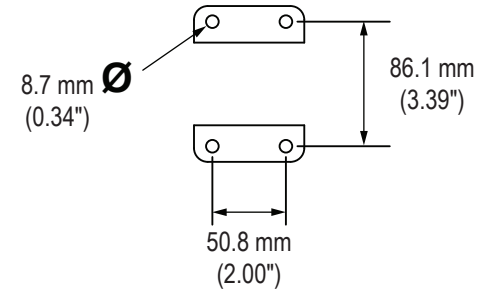
Top View (Collapsed)



Side View (Extended)

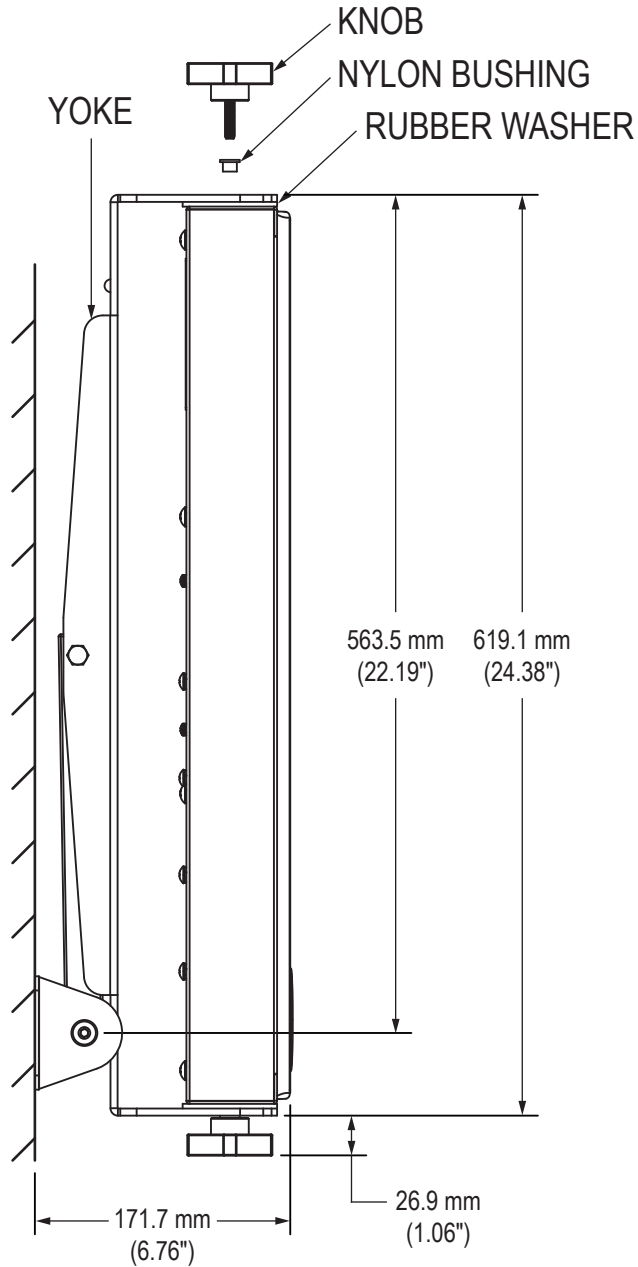


Mounting Bracket

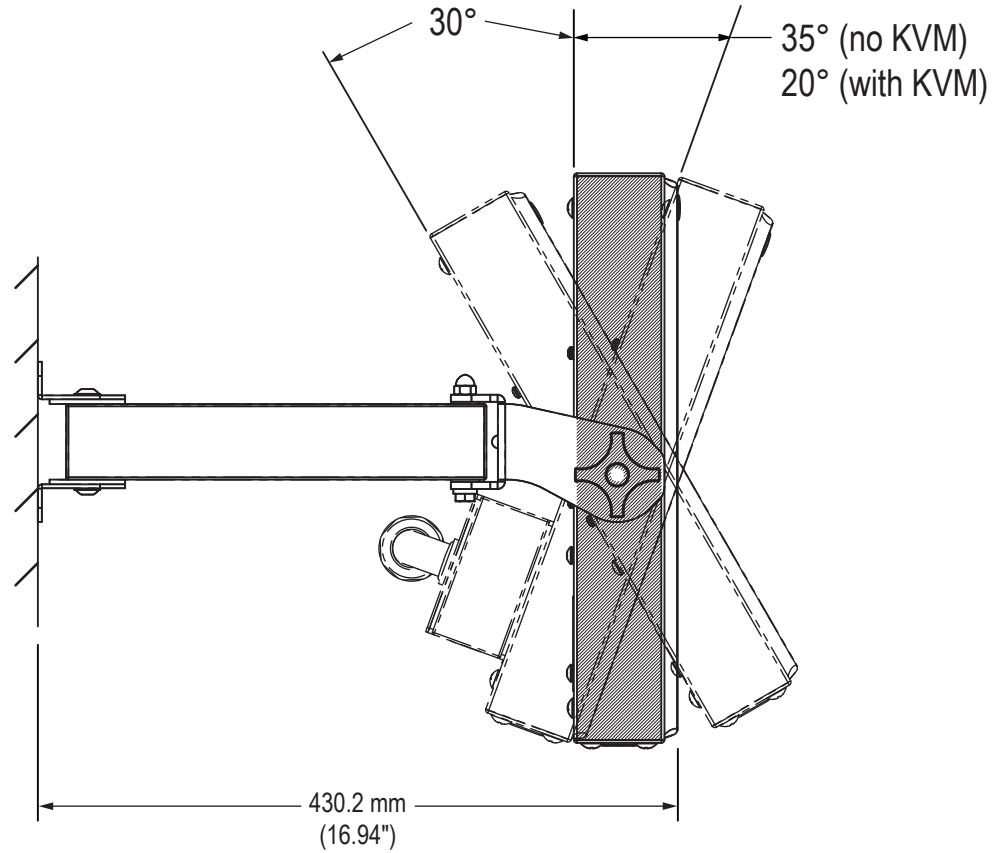


# 23.8" MODEL

Top View (Collapsed)



Side View (Extended)



Mounting Bracket

